

Leakage distance, inches (mm) 11½ (292)

Combined mechanical and electrical strength, pounds (kN) 15,000 (67)

Mechanical impact strength, inch-pounds (N-m) 55 (6.0)

Tension proof, pounds (kN) 7,500 (33.5)

Time load, pounds (kN) 10,000 (44)

Low - frequency dry flashover, kilovolts 80

Low - frequency wet flashover, kilovolts 50

Critical - impulse flashover, positive, kilovolts 125

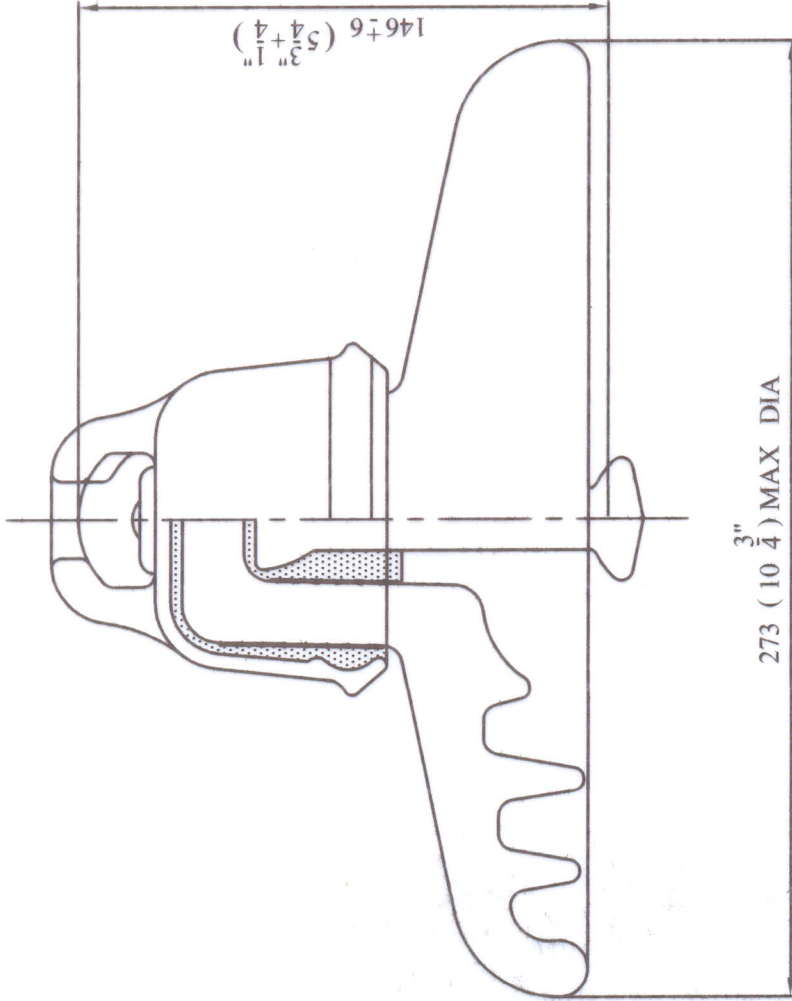
Critical - impulse flashover, negative, kilovolts 130

Low - frequency puncture, kilovolts 110

Low - frequency test voltage, rms to ground, kilovolts 10

Maximum RIV at 1,000 kHz, microvolts 50

Colour of insulator glazed Brown



แผ่นที่ 2

บริษัท ผลิต วัสดุ อุปกรณ์ ผลิต
MANAGEABLE
INSULATOR CO., LTD.

MAN

INSULATOR SUSPENSION TYPE , ACCORDING TO ANSIC 29.2 CLASS 52 - 3

CATALOGUE NO. SU - 523

SCALE : NTS. UNIT: mm.

DRAWN : *Sofer*

APPROVED : *อนันต์*

MANAGEABLE INSULATOR COMPANY

DATE: 3 / 1 / 2013

DRAWING NO. FAC - 074

FAC



15,000 lbs M-E
7,500 lbs test

THAILAND
YEAR

TIS.354 - 2528

บริษัท یمان จำกัด
MANAGEABLE
INSULATOR CO.,LTD.
MAN

MARKING ON INSULATOR SUSPENSION TIS 354 - 2528 CLASS 52.- 3

CATALOGUE NO. SU - 523

SCALE : NTS. UNIT:

ISSUE :

DRAWN : *S.R.*

APPROVED : *enaf*

MANAGEABLE INSULATOR COMPANY

DATE: 17 / 3 / 2015

DRAWING NO. FAC - 078-1