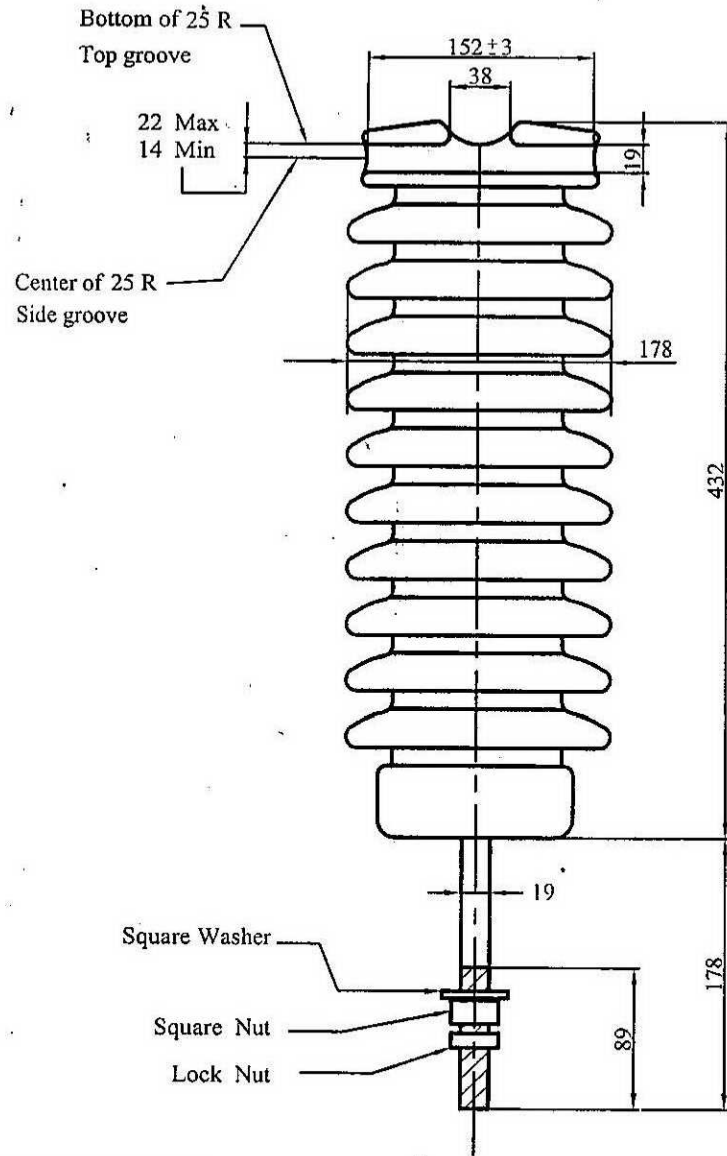


COPY #8



| | |
|-------------------------------------------------|-------|
| Leakage distance, minimum, mm | 1,015 |
| Protected leakage distance, minimum, mm | 406 |
| Dry - arcing distance, minimum, mm | 368 |
| Cantilever strength, kN | 12.5 |
| Cantilever proof load, kN | 5 |
| Low - frequency dry flashover, kV | 150 |
| Low - frequency wet flashover, kV | 125 |
| Critical - impulse flashover, positive, kV | 255 |
| Critical - impulse flashover, negative, kV | 340 |
| Low - frequency test voltage, rms to ground, kV | 44 |
| Maximum RIV at 1,000 kHz, radio freed, μ V | 200 |
| Colour of insulator glazed | Brown |

INSULATOR, LINE - POST TYPE, ACCORDING TO TIS. 1077 TYPE 57 - 4

CATALOGUE NO. LP - 574

UNIT: mm.

SCALE: NTS.

REV:

DRAWN: *[Signature]*

CHECKED: *[Signature]*

APPROVED: *[Signature]*

FINE ART CERAMIC CO.,LTD

DATE: 25 / 9 / 2007

DRAWING NO. FAC - 017