



U-TAH INDUSTRY LTD..PART.

Drop-Out Fuse Cutout

Single-Vent Type



- ✌ **U-tah drop-out fuse cutout type DH222 are designed to meet ANSI-NEMA standard.**
- ✌ **Rated voltage up to 27 kV.**
- ✌ **Rated continuous up to 200 A.**
- ✌ **Interrupting current 12 kA(Asym.)**
- ✌ **High efficiency to protect distribution lines and equipments.**
- ✌ **Interchangability.**
- ✌ **ISO 9001 certificated.**

Reliability

Every U-tah drop-out fuse cutout switch meets ANSI / NEMA standard. U-tah drop-out fuse cutouts have been widely used for many years by both industries and power utilities in Thailand.

High Quality

Carefully selected materials coupled with high standard workmanship bring U-tah drop-out fuse cutout switches to the high quality level. The power utilities have experienced dependable performance of U-tah drop-out fuse cutout in tropical climate at its full ratings in out door application.

Efficient Interruptability

U-tah drop-out fuse cutout effects and dependable intereption of any current from minimum melting to maximum fault within the rating. Consistent performance is assured by glass fiber reinforced epoxy resin small bore tube and spring load feature.

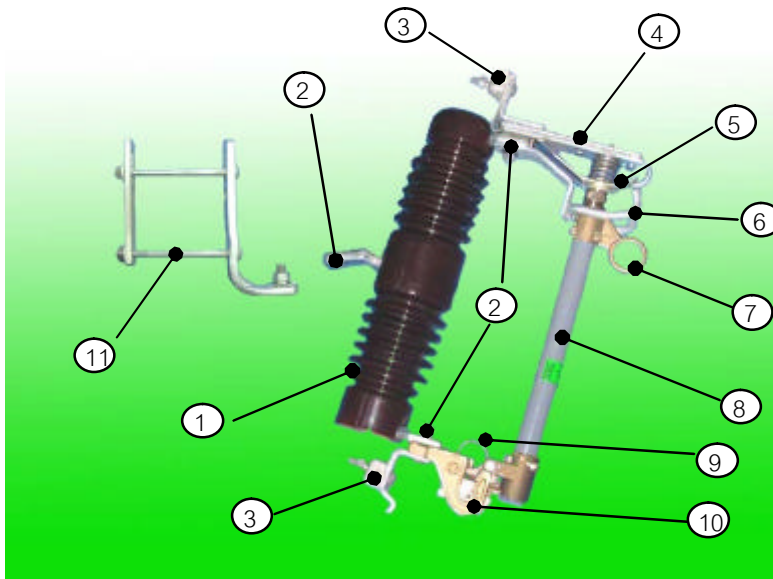
Production & Quality Control

All U-Tah Type DH drop-out fuse cutouts are manufactured to fully meet the international standards. Foreign technical cooperation helps assure manufacturing process, quality conformity, testing and quality control and make Type DH drop-out fuse cutout an international protective device.

SPECIFICATION

Specification	U-tah Drop-Out Fuse Cutout
	Single-Vent Type
Type	DH222
Rated norminal voltage (kV)	25.0
Rated maximum voltage (kV)	27.0
Rated continuous current (A)	200
Rated frequency (Hz)	50/60
Rated interupting current (kA)(Asym)	12
Rated power withstand voltage (kV)	12
- Dry test (1min.)	42
- Wet test (10sec.)	36
BIL (kV)	125
Creepage distance to ground (mm.)	320
Net weight (kg)	9.5

Features & Materials



1. Insulator : Insulators for U-tah drop-out fuse cutout are heavy duty and brown glazed. Made of porcelain with galvanized steel insert support.

2. Mounting Insert : Made of galvanized steel.

3. Upper & Lower Terminal : Made of Tin-plate bronze parallel groove type are standard on U-tah drop-out fuse cutout. They can accommodate aluminium or copper conductor size range 35-120 sqmm.

4. Upper Backup : Made of galvanized steel and high mechanical strength.

5. Top Contact : The top contact are attached to the galvanized steel backup members. It combines the superior current carrying characteristics of copper with mechanical strength of galvanized steel to provide an excellent contacting area with the fuse holder when in the closing condition.

6. Load Break Hook : Galvanized steel hooks are standard on all U-tah drop-out fuse cutout to be opened under load with the use of loadbuster, serving to guide the fuse holder during close operations.

7. Pulling Eye : For standard hook stick operated.

8. Fuse Tube : The valcanized fiber lining tube, being by the fiberglass-epoxy outer tube, provides the superior strength necessary for the higher interrupting rating.

9. Lifting Eye : For standard hook stick operated.

10. Hinge Support : The hinge on all U-tah drop-out fuse cutout employs large pivot ares for the fuseholder trunnion and is cast of *Stainless Steel* chosen for its strength and corrosion resistance.

11. Mounting Bracket : U-tah drop-out fuse cutout including a NEMA Duty Type-B mounting bracket.

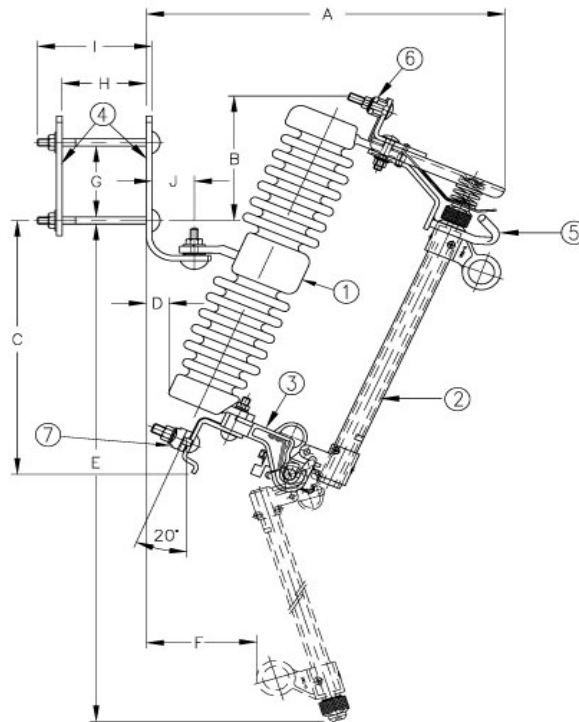
Drop-Out Fuse Cutout Single-Vent Type

Type-DH

The U-tah drop-out fuse cutouts are single pole single throw type, hook stick operated, under no load condition, Loadbuster hooks for use with portable load interrupter tool are available on order. The U-tha drop-out fuse cutouts are suitable for outdoor installation under the following service condition.

- attitude up to 1000 m. Above mean sea level.
- Ambient air temperature up to 40°C.
- Relative humidity up to 100%.

Dimensions



Type	Dimensions (mm.)										Weight (kg.)
	A	B	C	D	E	F	G	H	I	J	
DH222	420	125	300	54	620	125	105-131	68-131	140	57	9.0

Remark Tolerance all Dimension $\pm 10\text{mm}$

U-Tah Industry Limited Partnership
100/26-27 Vongvanij Building B, 15Fl. Rama 9 Rd, Huaykwang Bangkok, Thailand 10320
Tel : (66)2-6450232-40 Fax : (66)2-6450252