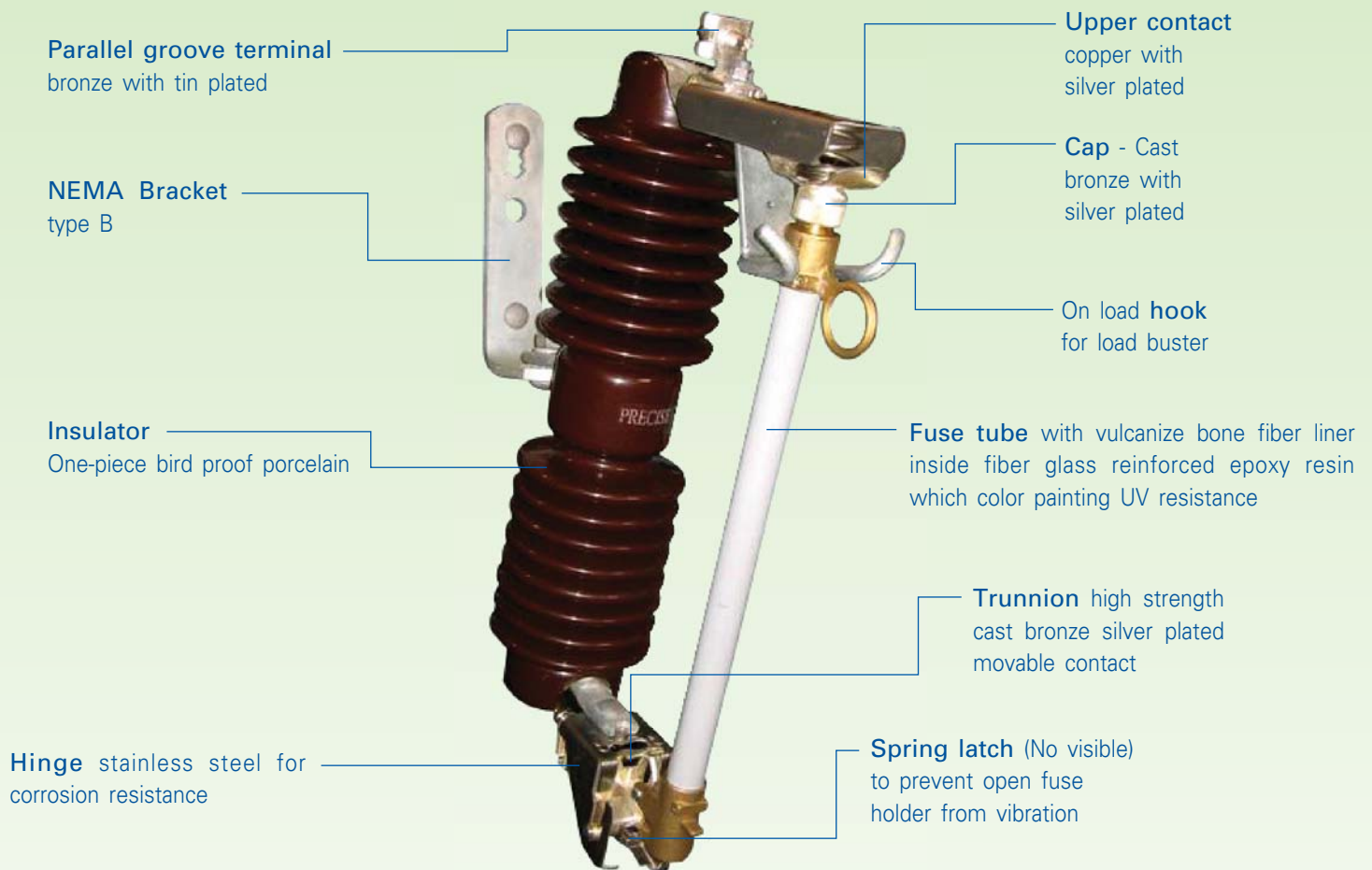


## PRECISE HIGH VOLTAGE DISTRIBUTION FUSE CUTOUT

COS 38kV 100A 8kA asym. Type PGC



### Feature

- Maximum voltage design 38kV
- Rated continuous current 100A
- Drop down open fuse cutout
- Non expendable cap
- Single vent expulsion fuse holder
- Single core bird proof of porcelain for fuse cutout body
- Off load operation but have hook for on load by load buster
- Apply for protection over current and fault of distribution line and distribution equipment such as power transformer, current transformer or capacitor bank etc.

### Type test report



PRECISE INTERNATIONAL CORPORATION LTD.

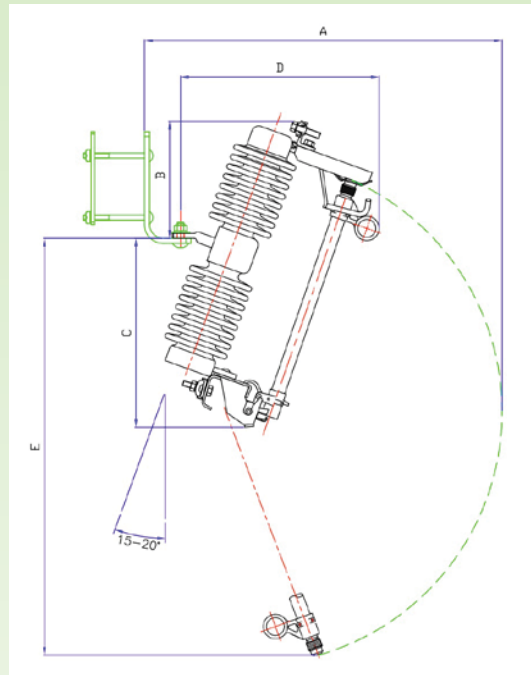
Sale Office: 1842 Krungthep-Nonthaburi Rd., Bangsue, Bangkok, 10800 Thailand

Telephone: (662) 910 9700-12    Telefax: (662) 910 9713-4

Website: www.precise.co.th    E-mail: info@precise.co.th

## PRECISE HIGH VOLTAGE DISTRIBUTION FUSE CUTOUT

COS 38kV 100A 8kA asym. Type PGC



Type PGC Cutout dimensions with NEMA Bracket Type B

### Dimensions Data

A	B	C	D	E
658	217	349	366	770

In millimeters unit

### Performance Characteristics

Applied standard	ANSI C37.42
Catalog number	3810865
Nominal system voltage kV-RMS	33
Maximum voltage design kV-RMS	38
Dry withstand voltage kV-RMS	70
Wet withstand voltage kV-RMS	60
BIL 1.2x50 $\mu$ s kV-peak	150
Continuous current A-RMS	100
Interrupting current asymmetrical/symmetrical A-RMS	8000 / 5000
Frequency Hz	50
Creepage distance to Ground Min. mm	650
Ambient air temperature	Up to 40 °C
Attitude	Up to 1000 m
Vertical insulator angle from center line of cutout body	15-20 degree
Approximate weight with NEMA Bracket kg.	13
Fuse holder expulsion	Yes
Non-Expendable cap	Yes



Factsheet No.: PGP-PGP102-FC-0002

Factsheet: State 3 Issued On : 01/04/2007

Authorized Dealer:

Revision No. 0 Date : 01/04/2007