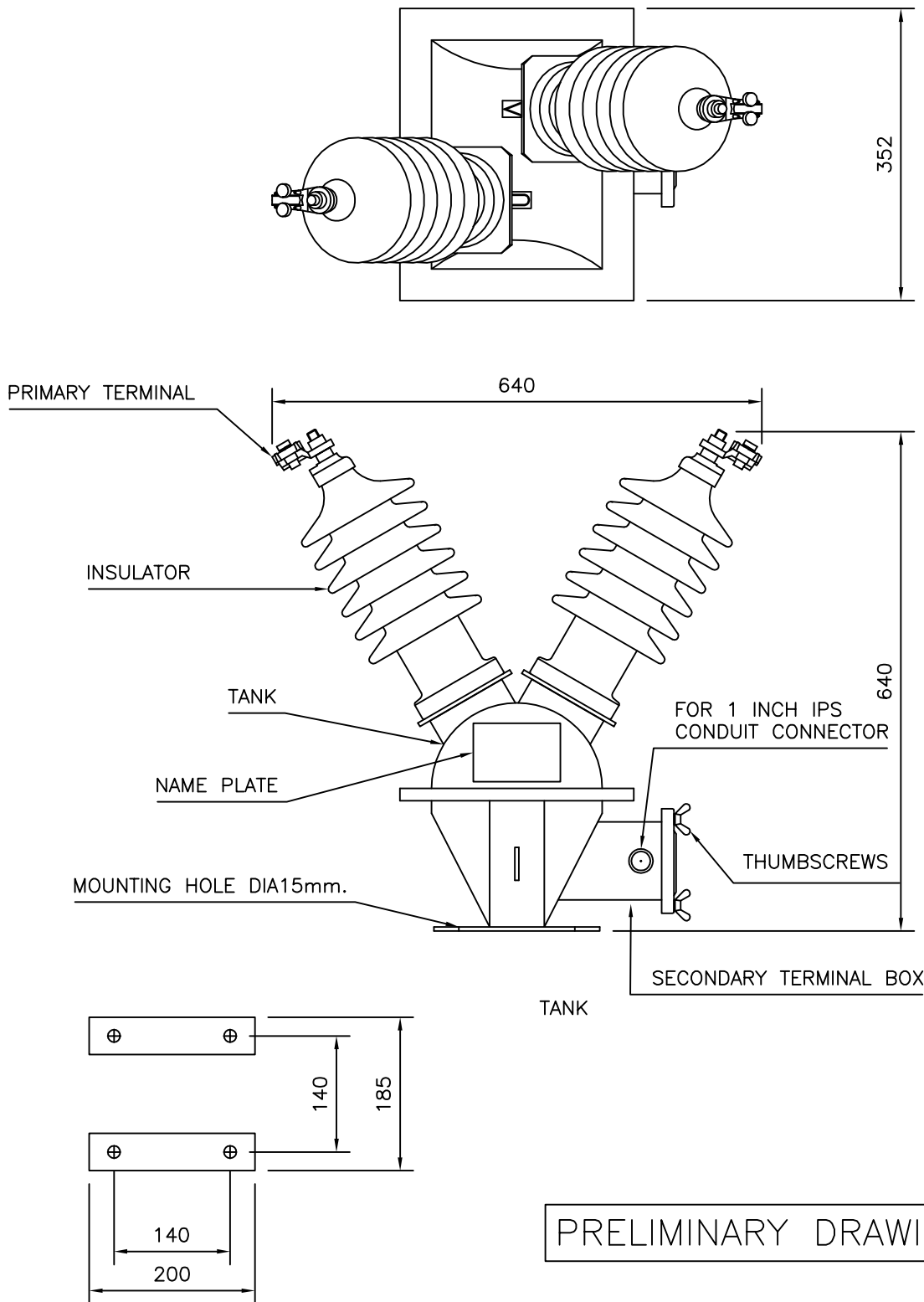


<b>TECHNICAL DATA FOR VOLTAGE TRANSFORMER TYPE VOL-24</b>		
Manufacturer	PRECISE ELECTRIC MFG. CO., LTD.	
Country of origin	Thailand	
Product type	OUT DOOR / OIL IMMERSED	
Applied standard	IEC 60044-2	
Rated frequency	Hz	50
Highest system voltage	kV	24
Rated primary voltage	kV	22
Rated secondary voltage	V	110
Basic Impulse Level (BIL)		
1) Impulse Withstand Voltage	kV	125
2) Power Frequency Withstand Voltage		
: Primary winding	kV	50
: Secondary winding	kV	3
Voltage factor	1.2 Continuous, 1.5 at 30 sec	
Voltage ratio	200:1	
Burden & Accuracy Class	50 VA , Class 0.5	
Polarity	Subtractive	
Insulation class of windings	A	
Connection of primary winding	Line to Line	
Maximum temperature rise of winding	K	60
Maximum ambient temperature	°C	40
Relative humidity	%	100
Installation	Up to 1,000 m. above sea level	
Secondary terminal	Brass stud M6	
Earth clamp	for 50-95 mm <sup>2</sup> conductor.	
Mounting	4 holes 140 x 140 x 15 mm. DIA.	
Creepage distance ( minimum )	mm.	600
Total mass ( approximate. )	kg	50
Outline drawing	According to DWG. No.VOL-24/P1	
Routine tests	According to IEC 60044-2	

THIS DOCUMENT REMAINS THE EXCLUSIVE PROPERTY OF THE PRECISE ELECTRIC MANUFACTURING CO., LTD. RE-PRODUCTION OR ANY USE NOT IN CONFORMITY WITH THE INTENDED APPLICATION IS NOT PERMISSIBLE

UNITS OF MEASURE  
 11 -PIECE  
 21 -g  
 23 -kg  
 24 -t  
 31 -mm  
 33 -m  
 41 -mm<sup>2</sup>  
 42 -cm<sup>2</sup>  
 44 -m<sup>2</sup>  
 52 -cm<sup>3</sup>  
 53 -dm<sup>3</sup>  
 54 -m<sup>3</sup>  
 61 -dl  
 62 -l

TYPE OF PARTS  
 M -MATERIAL  
 S -STANDARD PART  
 I -INDV. PART  
 A -ASSEMBLY  
 F -SEMI ASSEMBLY  
 D -DOCUMENT



PRELIMINARY DRAWING

NO. OF FORM	INSTRUMENT TRANSFORMER DIVISION		±10%	SURFACE KLASIF. OF QA.		UNITS : mm.	MASS	KG/PIECE
			TOLERANCE FOR FREE DIM.			MATERIAL		
			DESIGN.	NAME	SIGN.	NO. <input type="text"/>		
			CHECK			OUTLINE DRAWING VOLTAGE TRANSFORMER VOL-24		
			STAND.					
		APPROVED			PAGE			
		<b>PRECISE</b> PRECISE ELECTRIC MFG. CO., LTD.		VOL-24/P1		NO. PAGES		
1.	0	21/12/06	TNO			1		
ISUE CHANGE NO.		DATE	NAME	BASIC DWG.		SUPSTIT. FOR		SUPSTIT. WITH