

TECHNICAL DATA FOR CURRENT TRANSFORMER TYPE COL-24		
Manufacturer	PRECISE ELECTRIC MFG. CO., LTD.	
Country of origin	Thailand	
Product type	Out door /Oil-immersed	
Applied standard	IEC 60044-1	
Rated frequency	Hz.	50
Highest system voltage	kV.	24
Rated current		
: Primary	A.	10 to 150
: Secondary	A.	5
Type of Ratio	Single Ratio	
Number of Cores	Single Core	
Output burden & Accuracy class	30 VA , CL. 0.5 Fs<5	
Short time current rating (I _{th} , 1 sec.)	A.	100 x I _n or Max 25 kA.
Dynamic current (I _{dyn})	A _{peak}	2.5 x I _{th}
Rated continuous thermal current	120%	
Basic Impulse Level (BIL)		
1) Impulse Withstand Voltage	kV _{peak}	125
2) Power-Frequency Withstand Voltage		
: Primary winding	kV _{rms}	50
: Secondary winding	kV _{rms}	3
Insulation class	A.	
Maximum temperature rise of winding	K	60
Maximum ambient temperature	degree C	40
Relative humidity	%	100
Installation	Up to 1,000 m. above sea level	
Primary terminal/Primary connector	NEMA Pad / Compression Type	
Secondary terminal	Brass stud M6	
Earth clamp	for 50-95 mm ² conductor.	
Mounting	4 hole 230 x 130 x Dia. 15 mm.	
Creepage distance (minimum)	mm.	600
Total mass (approximate)	kg.	35
Outline drawing	COL-24/ P1-1	
Routine tests	According to IEC 60044-1	
Cubicle	Steel zinc galvanize with colour grey	

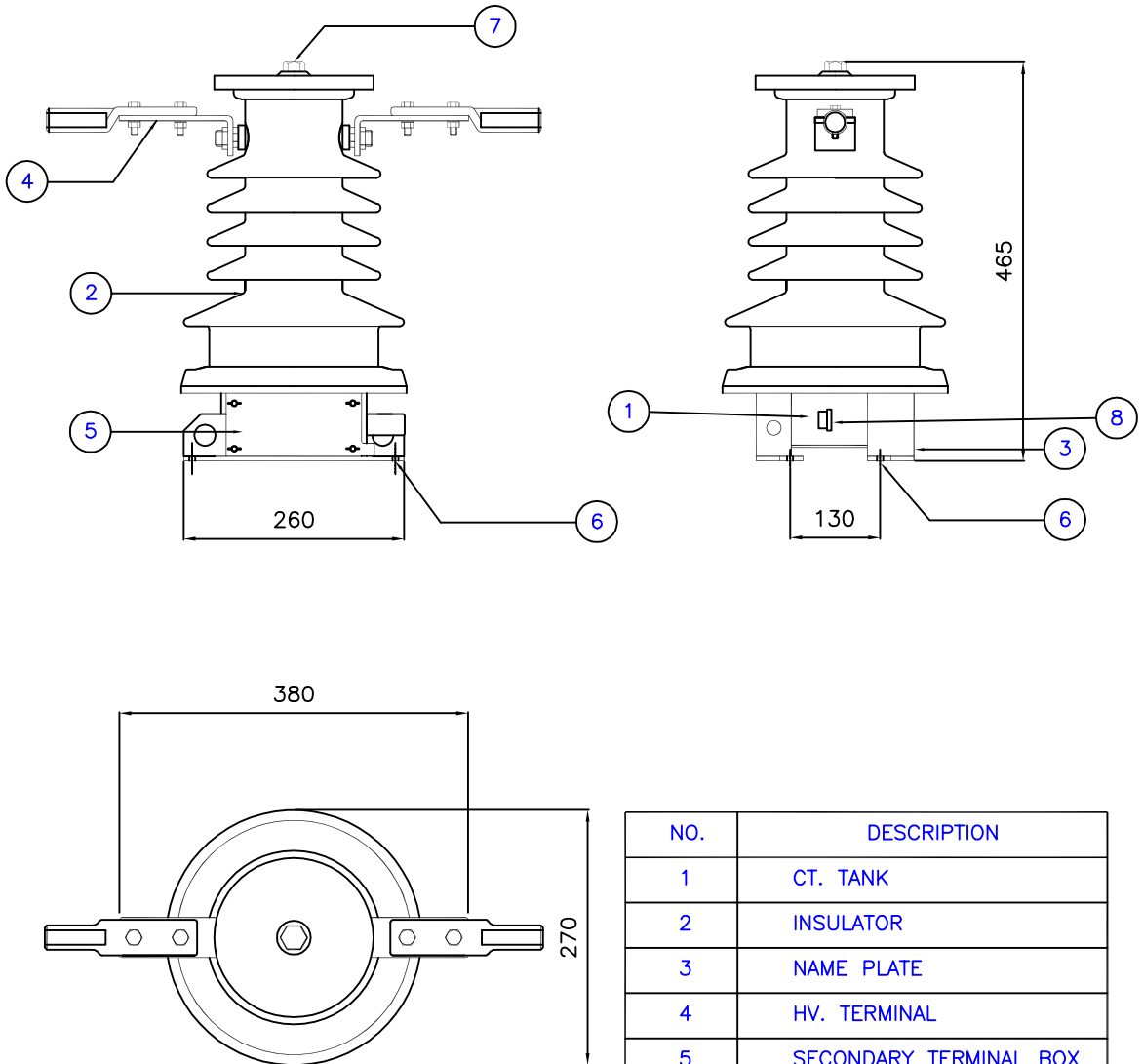
THIS DOCUMENT REMAINS THE EXCLUSIVE PROPERTY OF THE PRECISE ELECTRIC MANUFACTURING CO.,LTD. RE- PRODUCTION OR ANY USE NOT IN CONFORMITY WITH INTENDED APPLICATION IS NOT PERMISSIBLE

UNITS OF MEASURE

11	-PIECE	24	-t	41	-mm ²	52	-cm ³	61	-dl
21	-g	31	-mm	42	-cm ²	53	-dm ³	62	-l
23	-kg	33	-m	44	-m ²	54	-m ³		

TYPE OF PARTS

M	-MATERIAL	A	-ASSEMBLY
S	-STANDARD PART	F	-SEMI ASSEMBLY
I	-INDV. PART	D	-DOCUMENT



NO.	DESCRIPTION
1	CT. TANK
2	INSULATOR
3	NAME PLATE
4	HV. TERMINAL
5	SECONDARY TERMINAL BOX
6	MOUNTING HOLE ϕ 15 MM.
7	OIL FILLING PLUG
8	EARTHING CLAMP

NOTE
DIMENSION TOLERANCE IF NOT SPECIFIED ARE $\pm 10\%$

PRELIMINARY DRAWING

INSTRUMENT TRANSFORMER		$\pm 10\%$		UNIT : mm.	MASS	KG/PIECE
DIVISION		TOLERANCE FOR FREE DIM.	SURFACE KLASIF. OF QUA.	MATERIAL		
		NAME	SIGN.	NO. <input type="text"/>		
		DESIGN.	K.NIPHOT	OUTLINE DIMENSION CURRENT TRANSFORMER COL-24 (TYPE 10/5 UP TO 150/5 A.)		
		CHECK	J.SIRICHAJ			
		STAND.				
		APPROVED	J.SIRICHAJ			
		PRECISE PRECISE ELECTRIC MFG. CO., LTD.		<input type="checkbox"/> COL-24/P1-1		
NO.OF FORM	1.	0.	26-01-02	SPA	PAGE 1	
ISSUE CHANGE NO.	DATE	NAME	BASIC DWG.		SUPSTIT. FOR	SUPSTIT. WITH
				NO. PAGES 1.		

TECHNICAL DATA FOR CURRENT TRANSFORMER TYPE COL-24		
Manufacturer	PRECISE ELECTRIC MFG. CO., LTD.	
Country of origin	Thailand	
Product type	Out door /Oil-immersed	
Applied standard	IEC 60044-1	
Rated frequency	Hz.	50
Highest system voltage	kV.	24
Rated current		
: Primary	A.	200 to 600
: Secondary	A.	5
Type of Ratio	Single Ratio	
Number of Cores	Single Core	
Output burden & Accuracy class	30 VA , CL. 0.5 Fs<5	
Short time current rating (I _{th} , 1 sec.)	A.	100 x I _n or Max 40 kA.
Dynamic current (I _{dyn})	A _{peak}	2.5 x I _{th}
Rated continuous thermal current	120%	
Basic Impulse Level (BIL)		
1) Impulse Withstand Voltage	kV _{peak}	125
2) Power-Frequency Withstand Voltage		
: Primary winding	kV _{rms}	50
: Secondary winding	kV _{rms}	3
Insulation class	A.	
Maximum temperature rise of winding	K	60
Maximum ambient temperature	degree C	40
Relative humidity	%	100
Installation	Up to 1,000 m. above sea level	
Primary terminal/Primary connector	NEMA Pad / Compression Type	
Secondary terminal	Brass stud M6	
Earth clamp	for 50-95 mm ² conductor.	
Mounting	4 hole 230 x 130 x Dia. 15 mm.	
Creepage distance (minimum)	mm.	600
Total mass (approximate)	kg.	35
Outline drawing	COL-24/ P1-2	
Routine tests	According to IEC 60044-1	
Cubicle	Steel zinc galvanize with colour grey	

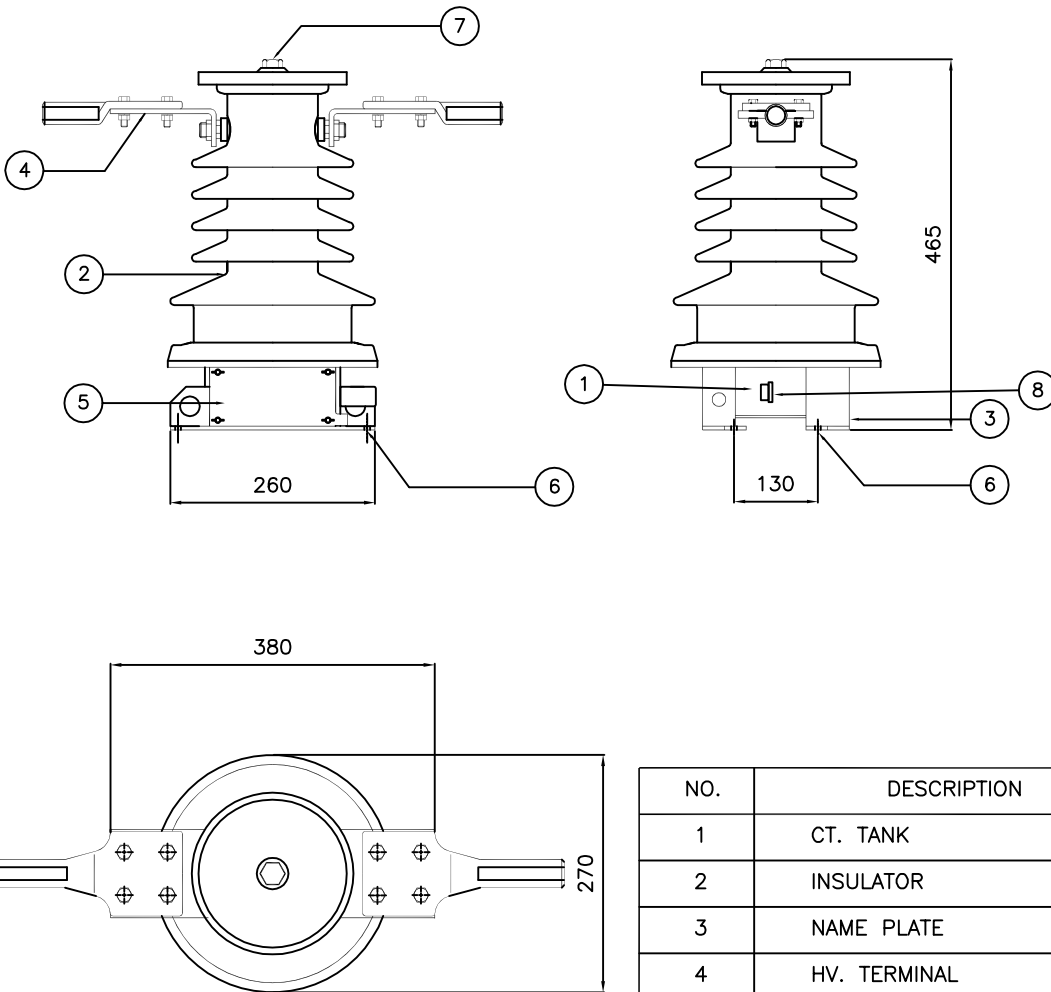
THIS DOCUMENT REMAINS THE EXCLUSIVE PROPERTY OF THE PRECISE ELECTRIC MANUFACTURING CO.,LTD. RE- PRODUCTION OR ANY USE NOT IN CONFORMITY WITH INTENDED APPLICATION IS NOT PERMISSIBLE

UNITS OF MEASURE

11	-PIECE	24	-t	41	-mm ²	52	-cm ³	61	-dl
21	-g	31	-mm	42	-cm ²	53	-dm ³	62	-l
23	-kg	33	-m	44	-m ²	54	-m ³		

TYPE OF PARTS

M	-MATERIAL	A	-ASSEMBLY
S	-STANDARD PART	F	-SEMI ASSEMBLY
I	-INDIV. PART	D	-DOCUMENT



NO.	DESCRIPTION
1	CT. TANK
2	INSULATOR
3	NAME PLATE
4	HV. TERMINAL
5	SECONDARY TERMINAL BOX
6	MOUNTING HOLE Ø 15 MM.
7	OIL FILLING PLUG
8	EARTHING CLAMP

NOTE
DIMENSION TOLERANCE IF NOT SPECIFIED ARE ±10%

PRELIMINARY DRAWING

NO. OF FORM	INSTRUMENT TRANSFORMER		±10%	UNIT : mm.		MASS	KG/PIECE
	OIL TYPE DIVISION		TOLERANCE FOR FREE DIM.	SURFACE KLASIF. OF QUA.		MATERIAL NO. <input type="text"/>	
			NAME	SIGN.	OUTLINE DIMENSION CURRENT TRANSFORMER COL-24 (TYPE 200/5 UP TO 600/5 A.)		
			DESIGN.	K.NIPHOT			
			CHECK	J.SIRICHAJ			
		STAND.					
		APPROVED	J.SIRICHAJ	<input type="checkbox"/> COL-24/P1-2		PAGE	1
1.	0.	26-01-02	SPA			NO. PAGES	
ISUE CHANGE NO.		DATE	NAME	BASIC DWG.	SUPSTIT. FOR		SUPSTIT. WITH